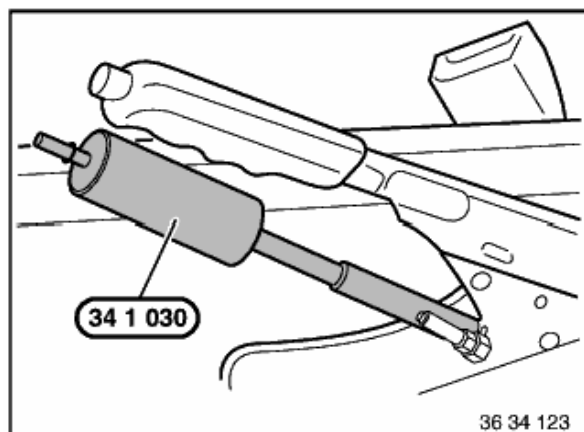


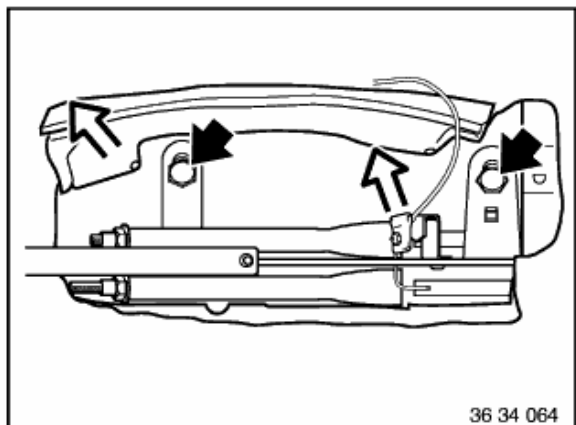
31 34 190

Lift out dust cover.
Remove tunnel tray,
refer to Gr. 51



36 34 123

Loosen lock nut using special tool 34 1 030 and unscrew
together with adjusting nut.



36 34 064

Unscrew bolts.
Remove handbrake lever.

Note:

Be careful not to damage warning switch during removal and installation.

Adjust switch,
refer to Gr. 61
Adjust handbrake,
refer to 34 10 014